



Product: 48 Inch Professional Dual Fuel Range in Stainless Steel
Model Number: HRD4803U / HRD4803ULP

TECHNICAL DETAILS

Fuel Type	Natural Gas / LP Convertible
Electrical Requirements	240V, 4-Prong 14-50R Power Outlet
Circuit Breaker (A)	40A
Frequency (Hz)	60 Hz

BURNER PERFORMANCE

Total Burners	6
(1) Front Left (Single)	18,000 BTU
(2) Front Middle (Dual Burner)	15,000 BTU (650 BTU for Simmer)
(3) Front Right (Single)	18,000 BTU
(4) Rear Left (Single)	12,000 BTU
(5) Rear Middle (Single)	12,000 BTU
(6) Rear Right (Dual Burner with simmer function)	15,000 BTU (650 BTU for Simmer)
(7) Stainless Steel Griddle	15,000 BTU



FEATURES & BENEFITS

- + **High-Powered BTU Burners** - From a high-powered 18,000 BTU burner to a burner with a steady 650 BTU simmer function, this range gives you the power you need for large family meals and the consistent low heat desired for cooking delicate sauces or melting chocolate
- + **LuxGlide™ Telescopic Racks** - Telescopic racks use ball bearing rack guides for an effortless glide in and out of the oven. This luxury feature allows the rack to extend fully without tipping over for smooth, easy handling of even the heaviest dishes, and adjusts to fit different rack support levels
- + **Energy Efficient Heating** - Heating element distributes heat evenly for excellent boiling and baking
- + **LED Control Panel Lights** - When in operation, the LED control panel lights illuminate a striking blue for an added pop of color
- + **Dual Ovens** - Dual ovens at 4.2 cu. ft. and 2.5 cu. ft. capacity allow you to cook multiple dishes at a time
- + **Continuous Cast - Iron Cooking Grates** - Heavy-duty continuous cast-iron cooking grates that can handle any size cookware
- + **15,000 BTU Griddle** - The 15,000 BTU griddle offers additional cooking space and flexibility
- + **Brilliant Blue Porcelain Interior** - The brilliant blue porcelain interior adds a bold, stylish touch to your professional range
- + **Heavy Duty Control Knobs** - Heavy duty, die-cast metal burner control knobs add style and durability
- + **Black Porcelain Spill Tray** - Black porcelain spill tray on cooktop catches the mess and makes cleanup easy

OVEN PERFORMANCE

Oven Capacity	6.7 cu. ft. (4.2 cu. ft. for 30-inch oven) (2.5 cu. ft. for 18-inch oven)
Bake Power (30-inch oven)	850 W (Top) / 3,000 W (Bottom)
Bake Power (18-inch oven)	2,500 W (Bottom)
Broil Power (30-inch oven)	3,500 W

WARRANTY: 2 YEARS ON PARTS AND LABOR



PRODUCT DIMENSIONS

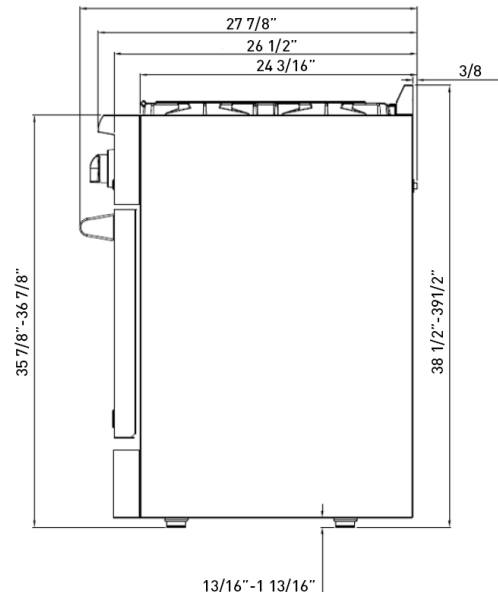
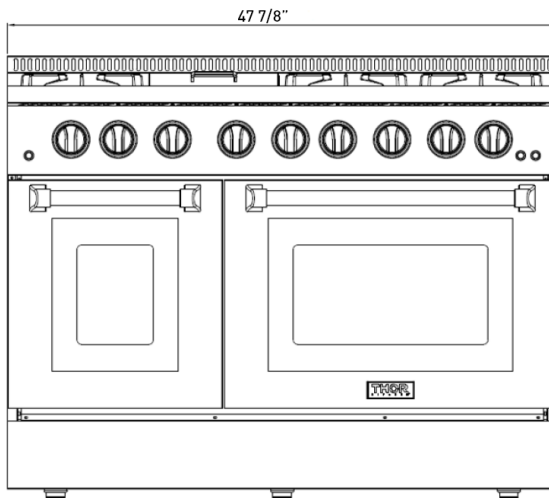
Product Width	47.9"
Product height (from bottom to top of back splash)	38 1/2" - 39 1/2"
Product height (from bottom to top of side panel)	35 15/16" - 36 15/16"
Product depth (from back panel to bullnose)	27 7/8"
Product depth (from back panel to control board)	26 1/2"
Product depth (from back panel to side panel front)	24 3/16"
Depth of control panel (minimum)	2 1/4"
Depth of control panel (bullnose)	3 11/16"
Cast iron cooking grate (W x L)	10 3/4" x 23"
Adjustable Legs	Not to Exceed 1"

REQUIRED CUTOUT SIZE

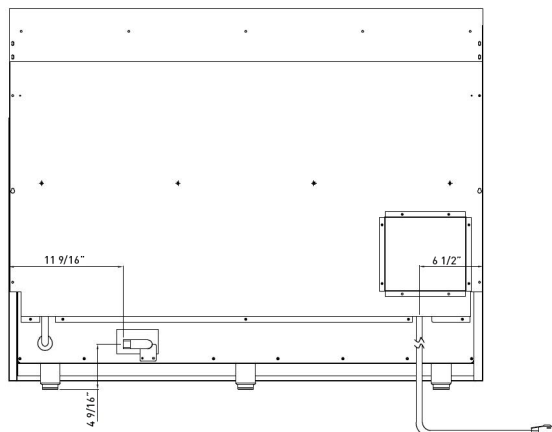
48 1/8" x 24 3/16" x 35 15/16" (+1")	
30" Oven Cavity Dimension	24"W x 15 1/4"H x 18"D
30" Oven Rack Dimension	22 3/4" x 15 1/2"
Distance Between Oven Rack	2 1/8"

ACCESSORIES (NOT INCLUDED)

Liquid Propane Gas Conversion Kit	LPKHRD4803U
30-inch Telescopic Rack (for 30-inch oven)	TR30SS
Bamboo Cutting Board	CB0001
48-inch Island Trim	ITHRD4803U
Wok Ring	WK01
Cast Iron Reversible Griddle	RG1022



NG: Input Pressure: 7 inches, Output Pressure: 5 inches
 LP: Input Pressure: 11 inches Output Pressure: 10 inches
 Regulator Location: Inside the kick Panel – Bottom Right
 Size of Regulator: 1/2 inch



*240V, 4-Prong 14-50R Power Outlet is not included with the product

