



**FEATURES & BENEFITS**

- + **Flexible Temperature Control** - Temperature settings from 86 to 185 degrees address all your heating needs
- + **Multiple Modes** - Keep plates, cups and dishes warm or operate at a consistently low temperature to activate yeast and prepare dough for baking with the proof function
- + **Sleek Design** - The sleek stainless steel design fits seamlessly in any kitchen
- + **Humidity Control** - Maintain proper food textures with the hidden humidity control valve
- + **Hidden LCD Display and Controls** - Easily change functions, temperatures and adjust the timer with the hidden controls and LCD display
- + **Soft Close Drawer** - The full-extension drawer closes silently and smoothly so you can sneak a taste without anyone knowing
- + **Serving Pans** - Comes equipped with 3 serving pans and 2 removable serving rails
- + **Drawer Open Alarm** - Notifies you if the drawer is left ajar for too long

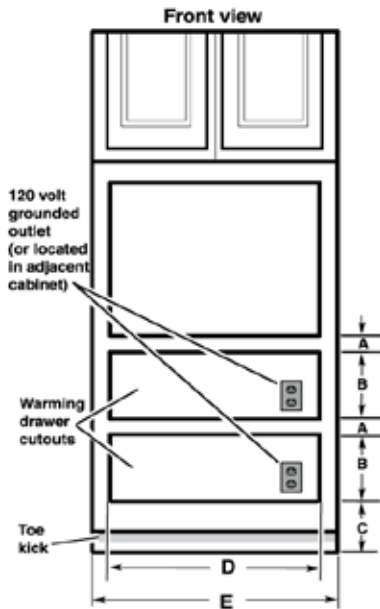
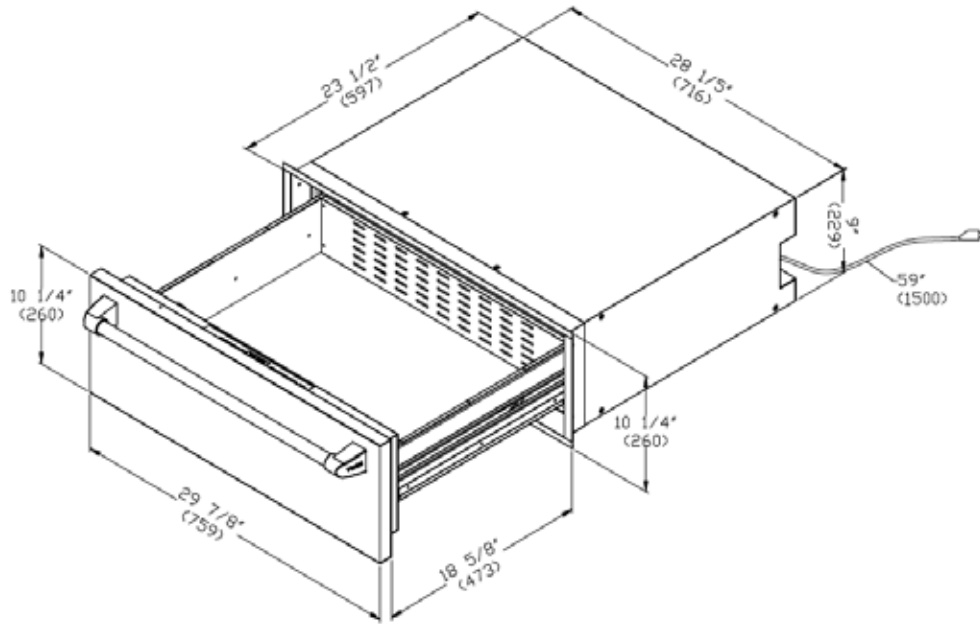


**TECHNICAL DETAILS**

Rated Voltage	120V/60Hz
Power	500W
Current	4A
Drawer Function	Full-extension, ball-bearing drawers soft closing slides
2"	Removable serving pan rails
Includes	1 1/2" serving pan and 2 1/3" serving pans

**WARRANTY: 2 YEARS ON PARTS AND LABOR**





### PRODUCT DIMENSIONS & WEIGHT

Product Size (inch)	30" W x 10 1/4" H x 24 11/16" D
Carton Size	33 11/12" W x 15 5/12" H x 28 11/16" D
Product Net Weight	61.8 lb.
Gross Weight	77.2 lb.

WARMING DRAWER SIZE	MINIMUM BETWEEN CUTOUTS (A)	CUTOUT HEIGHT (B)	MINIMUM/RECOMMENDED (C)	CUTOUT WIDTH (D)	MINIMUM CABINET WIDTH (E)
30"	2 1/2"	9 1/2"	1" (2.5 cm)	28 1/2"	30"
(76.2 cm)	(6.4 cm)	(23.2 cm)	4 1/4" (10.8 cm)	(72.2 cm)	(76.2 cm)